

135 series

VH CONNECTOR 3.96mm(0.156")

Position	A	B	C	D
2	7.92	3.96	7.92	3.96
3	11.88	7.92	11.88	7.92
4	15.84	11.88	15.84	11.88
5	19.80	15.84	19.80	15.84
6	23.76	19.80	23.76	19.80
7	27.72	23.76	27.72	23.76
8	31.68	27.72	31.68	27.72
9	35.64	31.68	35.64	31.68
10	39.60	35.64	39.60	35.64
11	43.56	39.60	43.56	39.60
12	47.52	43.56	47.52	43.56
13	51.48	47.52	51.48	47.52

Material & Finish

Insulator Material: Nylon 66 (UL 94V-0)

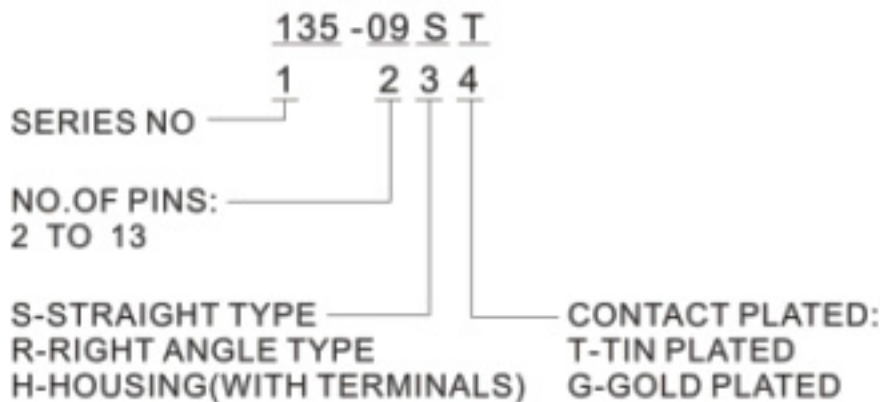
Contact Material: Brass

Contact Plated: Tin Plated

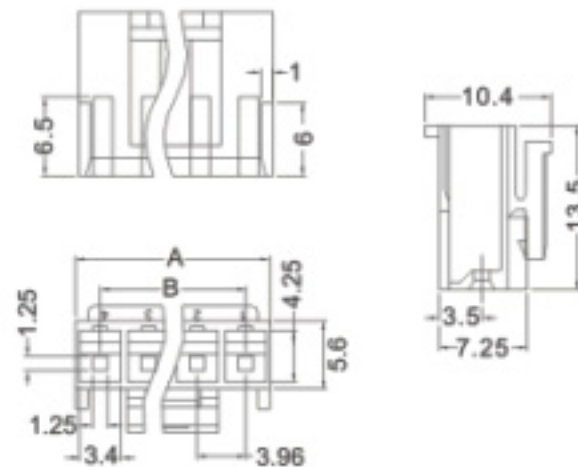
Number of Contacts: 2 Thru 13

Color: White

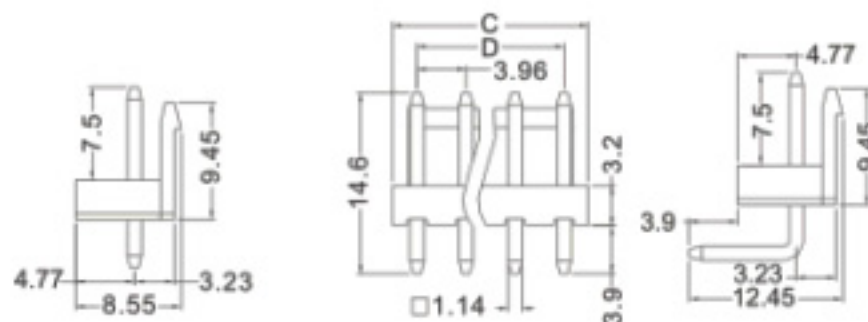
How To Order



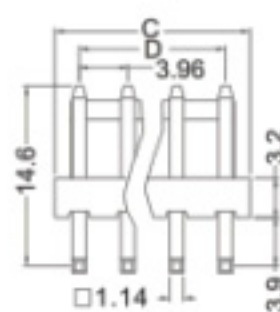
[HOUSING]



[STRAIGHT]



[RIGHT ANGLE]



[TERMINALS]

