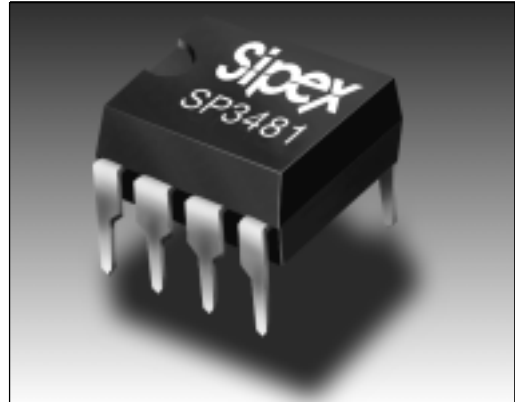


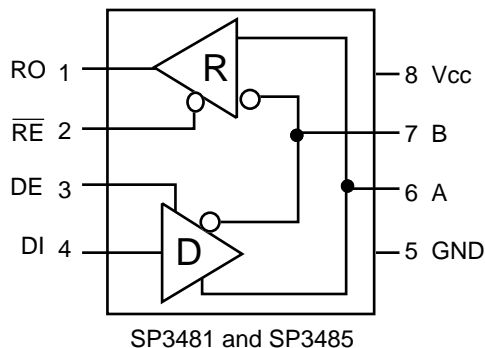
+3.3V Low Power Half-Duplex RS-485 Transceivers with 10Mbps Data Rate

- RS-485 and RS-422 Transceivers
- Operates from a single +3.3V supply
- Interoperable with +5.0V logic
- Driver/Receiver Enable
- Low Power Shutdown Mode (SP3481)
- -7V to +12V Common-Mode Input Voltage Range
- Allows up to 32 transceivers on the serial bus
- Compatibility with the industry standard 75176 pinout
- Driver Output Short-Circuit Protection



DESCRIPTION

The **SP3481** and the **SP3485** are a family of +3.3V low power half-duplex transceivers that meet the specifications of the RS-485 and RS-422 serial protocols. These devices are pin-to-pin compatible with the Sipex SP481, SP483, and SP485 devices as well as popular industry standards. The **SP3481** and the **SP3485** feature Sipex's BiCMOS process, allowing low power operation without sacrificing performance. The **SP3481** and **SP3485** meet the electrical specifications of RS-485 and RS-422 serial protocols up to 10Mbps under load. The **SP3481** is equipped with a low power Shutdown mode.



ABSOLUTE MAXIMUM RATINGS

These are stress ratings only and functional operation of the device at these ratings or any other above those indicated in the operation sections of the specifications below is not implied. Exposure to absolute maximum rating conditions for extended periods of time may affect reliability.

| | |
|--|-----------------|
| V_{CC} | +6.0V |
| Input Voltages | |
| Logic | -0.3V to +6.0V |
| Drivers | -0.3V to +6.0V |
| Receivers | ±15V |
| Output Voltages | |
| Drivers | ±15V |
| Receivers | -0.3V to +6.0V |
| Storage Temperature | -65°C to +150°C |
| Power Dissipation per Package | |
| 8-pin NSOIC (derate 6.90mW/°C above +70°C) | 600mW |
| 8-pin PDIP (derate 11.8mW/°C above +70°C) | 1000mW |



CAUTION:
ESD (ElectroStatic Discharge) sensitive device. Permanent damage may occur on unconnected devices subject to high energy electrostatic fields. Unused devices must be stored in conductive foam or shunts. Personnel should be properly grounded prior to handling this device. The protective foam should be discharged to the destination socket before devices are removed.

SPECIFICATIONS

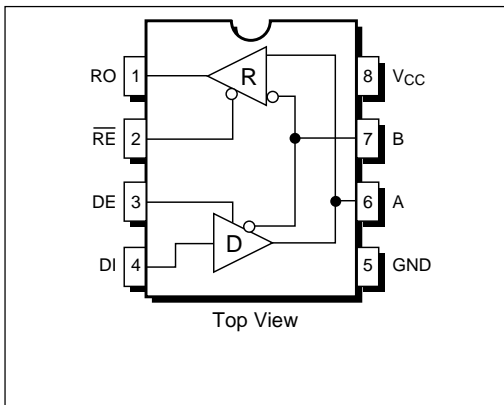
$T_{AMB} = T_{MIN}$ to T_{MAX} and $V_{CC} = +3.3V \pm 5\%$ unless otherwise noted.

| PARAMETERS | MIN. | TYP. | MAX. | UNITS | CONDITIONS |
|--|--------------|------|----------|-------|---|
| SP3481/SP3485 DRIVER | | | | | |
| DC Characteristics | | | | | |
| Differential Output Voltage | GND | | V_{CC} | Volts | Unloaded; $R = \infty$; <i>Figure 1</i> |
| Differential Output Voltage | 2 | | V_{CC} | Volts | with load; $R = 50\Omega$; (RS-422); <i>Figure 1</i> |
| Differential Output Voltage | 1.5 | | V_{CC} | Volts | with load; $R = 27\Omega$; (RS-485); <i>Figure 1</i> |
| Change in Magnitude of Driver Differential Output Voltage for Complimentary States | | | 0.2 | Volts | $R = 27\Omega$ or $R = 50\Omega$; <i>Figure 1</i> |
| Driver Common-Mode Output Voltage | | | 3 | Volts | $R = 27\Omega$ or $R = 50\Omega$; <i>Figure 1</i> |
| Input High Voltage | 2.0 | | | Volts | Applies to DE, DI, \overline{RE} |
| Input Low Voltage | | | 0.8 | Volts | Applies to DE, DI, \overline{RE} |
| Input Current | | | ±10 | µA | Applies to DE, DI, \overline{RE} |
| Driver Short-Circuit Current | | | | | |
| $V_{OUT} = \text{HIGH}$ | | | ±250 | mA | $-7V \leq V_O \leq +12V$ |
| $V_{OUT} = \text{LOW}$ | | | ±250 | mA | $-7V \leq V_O \leq +12V$ |
| SP3481/SP3485 DRIVER | | | | | |
| AC Characteristics | | | | | |
| Maximum Data Rate | 10 | | | Mbps | $\overline{RE} = V_{CC}$, $DE = V_{CC}$ |
| Driver Input to Output, t_{PLH} | 20 | 40 | 60 | ns | <i>Figures 2 and 8</i> |
| Driver Input to Output, t_{PHL} | 20 | 40 | 60 | ns | <i>Figures 2 and 8</i> |
| Differential Driver Skew | | 2 | 10 | ns | $ t_{DO1} - t_{DO2} $ <i>Figures 2 and 9</i> |
| Driver Rise or Fall Time | | 5 | 20 | ns | From 10% to 90%; <i>Figures 3 and 9</i> |
| Driver Enable to Output High | | 52 | 120 | ns | <i>Figures 4 and 10</i> |
| Driver Enable to Output Low | | 60 | 120 | ns | <i>Figures 5 and 10</i> |
| Driver Disable Time from Low | | 40 | 120 | ns | <i>Figures 5 and 10</i> |
| Driver Disable Time from High | | 60 | 120 | ns | <i>Figures 4 and 10</i> |
| SP3481/SP3485 RECEIVER | | | | | |
| DC Characteristics | | | | | |
| Differential Input Threshold | -0.2 | | +0.2 | Volts | $-7V \leq V_{CM} \leq +12V$ |
| Input Hysteresis | | 20 | | mV | $V_{CM} = 0V$ |
| Output Voltage High | $V_{CC}-0.4$ | | | Volts | $V_{ID} = +200mV$, -1.5mA |
| Output Voltage Low | | | 0.4 | Volts | $V_{ID} = -200mV$, 2.5mA |
| Three-State (High Impedance) Output Current | | | ±1 | µA | $0V \leq V_O \leq V_{CC}$; $\overline{RE} = V_{CC}$ |
| Input Resistance | 12 | 15 | | kΩ | $-7V \leq V_{CM} \leq +12V$ |
| Input Current (A, B); $V_{IN} = 12V$ | | | 1.0 | mA | $DE = 0V$, $V_{CC} = 0V$ or 3.6V, $V_{IN} = 12V$ |
| Input Current (A, B); $V_{IN} = -7V$ | | | -0.8 | mA | $DE = 0V$, $V_{CC} = 0V$ or 3.6V, $V_{IN} = -7V$ |
| Short-Circuit Current | 7 | | 60 | mA | $0V \leq V_{CM} \leq V_{CC}$ |

SPECIFICATIONS (continued)

$T_{AMB} = T_{MIN}$ to T_{MAX} and $V_{CC} = +3.3V \pm 5\%$ unless otherwise noted.

| PARAMETERS | MIN. | TYP. | MAX. | UNITS | CONDITIONS |
|--|------|------|------|---------|--|
| SP3481/SP3485 RECEIVER | | | | | |
| AC Characteristics | | | | | |
| Maximum Data Rate | 10 | | | Mbps | $\overline{RE} = 0V, DE = 0V$ <i>Figures 6 and 11</i> |
| Receiver Input to Output, t_{PLH} | 40 | 70 | 100 | ns | $T_{AMB} = +25^{\circ}C, V_{CC} = +3.3V,$ <i>Figures 6 and 11</i> |
| | | | 70 | ns | |
| Receiver Input to Output, t_{PHL} | 40 | 70 | 100 | ns | <i>Figures 6 and 11</i> |
| | | | 70 | ns | $T_{AMB} = +25^{\circ}C, V_{CC} = +3.3V,$ <i>Figures 6 and 11</i> |
| Differential Receiver Skew | | 4 | | ns | $t_{RSKEW} = t_{RPHL} - t_{RPLH} $ <i>Figures 6 and 11</i> |
| Receiver Enable to Output Low | | 35 | 60 | ns | <i>Figures 7 and 12; S₁ closed, S₂ open</i> |
| Receiver Enable to Output High | | 35 | 60 | ns | <i>Figures 7 and 12; S₂ closed, S₁ open</i> |
| Receiver Disable from Low | | 35 | 60 | ns | <i>Figures 7 and 12; S₁ closed, S₂ open</i> |
| Receiver Disable from High | | 35 | 60 | ns | <i>Figures 7 and 12; S₂ closed, S₁ open</i> |
| SP3481 Shutdown Timing | | | | | |
| Time to Shutdown | 50 | 75 | 200 | ns | $\overline{RE} = 3.3V, DE = 0V$ |
| Driver Enable from Shutdown to Output High | | 65 | 150 | ns | <i>Figures 4 and 10</i> |
| Driver Enable from Shutdown to Output Low | | 65 | 150 | ns | <i>Figures 5 and 10</i> |
| Receiver Enable from Shutdown to Output High | | 50 | 200 | ns | <i>Figures 7 and 12; S₂ closed, S₁ open</i> |
| Receiver Enable from Shutdown to Output Low | | 50 | 200 | ns | <i>Figures 7 and 12; S₁ closed, S₂ open</i> |
| POWER REQUIREMENTS | | | | | |
| Supply Current | | | | | |
| SP3481/3485 | | | | | |
| No Load | | 1000 | 2000 | μA | $\overline{RE}, DI = 0V$ or V_{CC} ; $DE = V_{CC}$ |
| | | 800 | 1500 | μA | $\overline{RE} = 0V, DI = 0V$ or V_{CC} ; $DE = 0V$ |
| SP3481 | | | | | |
| Shutdown Mode | | | 10 | μA | $DE = 0V, \overline{RE} = V_{CC}$ |



SP3481/SP3485
Pinout (Top View)

PIN FUNCTION

- Pin 1 – RO – Receiver Output.
- Pin 2 – \overline{RE} – Receiver Output Enable Active LOW.
- Pin 3 – DE – Driver Output Enable Active HIGH.
- Pin 4 – DI – Driver Input.
- Pin 5 – GND – Ground Connection.
- Pin 6 – A – Driver Output/Receiver Input Non-inverting.
- Pin 7 – B – Driver Output/Receiver Input Inverting.
- Pin 8 – V_{CC}

DESCRIPTION

The **SP3481** and the **SP3485** are 2 members in the family of +3.3V low power half-duplex transceivers that meet the specifications of the RS-485 and RS-422 serial protocols. These devices are pin-to-pin compatible with the Sipex SP481, SP483, and SP485 devices as well as popular industry standards. The **SP3481** and the **SP3485** feature Sipex's BiCMOS process allowing low power operation without sacrificing performance.

Drivers

The driver outputs of the **SP3481** and **SP3485** are differential outputs meeting the RS-485 and RS-422 standards. The typical voltage output swing with no load will be 0 Volts to +3.3 Volts. With a load of 54Ω across the differential outputs, the drivers maintain greater than 1.5V voltage levels. The drivers of the **SP3481** and **SP3485** have an enable control line which is active HIGH. A logic HIGH on DE (pin 3) will enable the differential driver outputs. A logic LOW on DE (pin 3) will tri-state the driver outputs.

The transceivers in the **SP3481** and **SP3485** operate up to 10Mbps. The 250mA I_{SC} maximum limit on the driver output allows the **SP3481** and the **SP3485** to withstand an infinite short circuit over the -7.0V to +12.0V common mode range without catastrophic damage to the IC.

Receivers

The **SP3481** and **SP3485** receivers have differential inputs with an input sensitivity as low as $\pm 200mV$. Input impedance of the receivers is typically $15k\Omega$ ($12k\Omega$ minimum). A wide common mode range of -7V to +12V allows for large ground potential differences between systems. The receivers of the **SP3481** and **SP3485** have a tri-state enable control pin. A logic LOW on \overline{RE} (pin 2) will enable the receiver, a logic HIGH on \overline{RE} (pin 2) will disable the receiver.

The receivers of the **SP3481** and **SP3485** operate up to 10Mbps. The receiver for each of the three devices is equipped with fail-safe. Fail-safe guarantees that the receiver output will be in a HIGH state when the input is left unconnected.

Shutdown Mode for the SP3481

The **SP3481** is equipped with a Shutdown mode. To enable the Shutdown state, both the driver and receiver must be disabled simultaneously. A logic LOW on DE (pin 3) and a logic HIGH on \overline{RE} (pin 2) will put the **SP3481** into Shutdown mode. In Shutdown, supply current will drop to typical $1\mu A$, $10\mu A$ maximum.

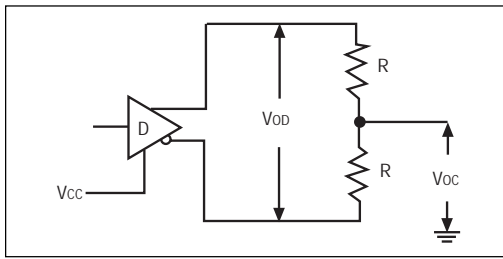


Figure 1. Driver DC Test Load Circuit

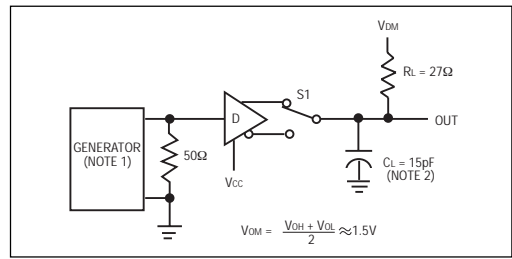


Figure 2. Driver Propagation Delay Test Circuit

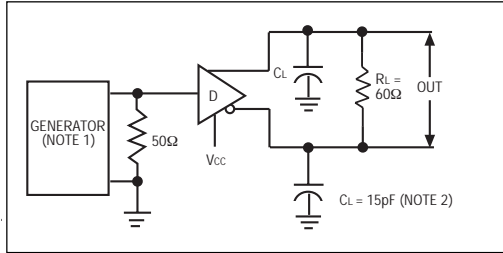


Figure 3. Driver Differential Output Delay and Transition Time Circuit

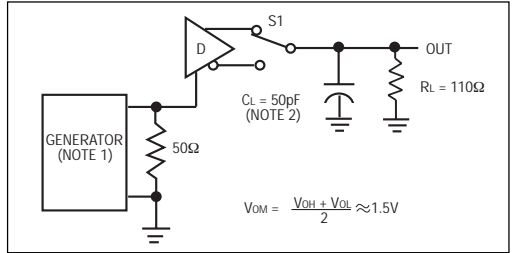


Figure 4. Driver Enable and Disable Timing Circuit, Output HIGH

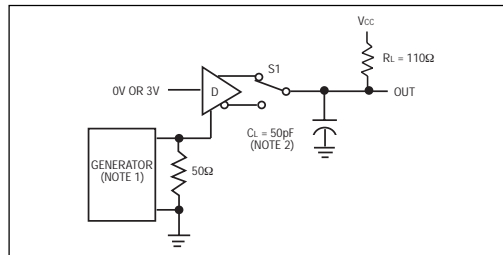


Figure 5. Driver Enable and Disable Timing Circuit, Output LOW

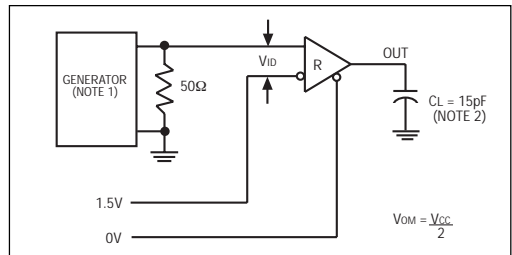


Figure 6. Receiver Propagation Delay Test Circuit

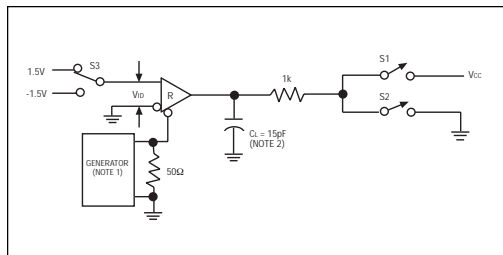


Figure 7. Receiver Enable and Disable Timing Circuit

| INPUTS | | | LINE CONDITION | OUTPUTS | |
|------------------------|----|----|----------------|---------|---|
| $\overline{\text{RE}}$ | DE | DI | | B | A |
| X | 1 | 1 | No Fault | 0 | 1 |
| X | 1 | 0 | No Fault | 1 | 0 |
| X | 0 | X | X | Z | Z |

Table 1. Transmit Function Truth Table

| INPUTS | | | A - B | OUTPUTS |
|------------------------|----|---|-------------|---------|
| $\overline{\text{RE}}$ | DE | R | | |
| 0 | 0 | | +0.2V | 1 |
| 0 | 0 | | -0.2V | 0 |
| 0 | 0 | | Inputs Open | 1 |
| 1 | 0 | | X | Z |

Table 2. Receive Function Truth Table

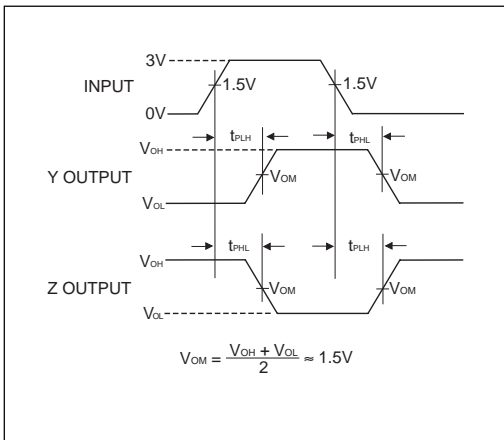


Figure 8. Driver Propagation Delay Waveforms

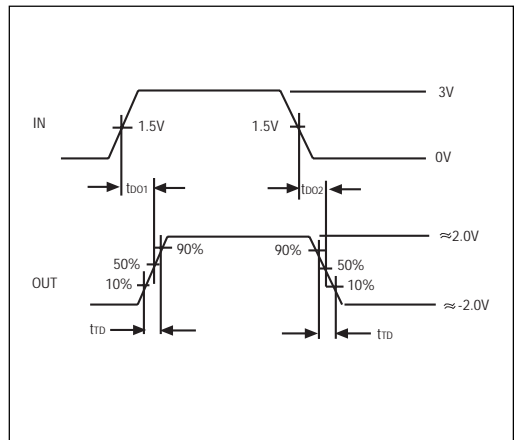


Figure 9. Driver Differential Output Delay and Transition Time Waveforms

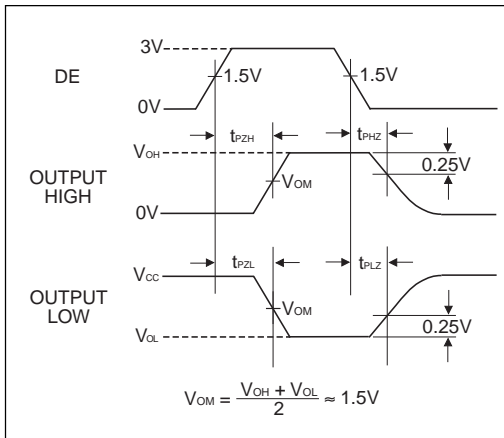


Figure 10. Driver Enable and Disable Timing Waveforms

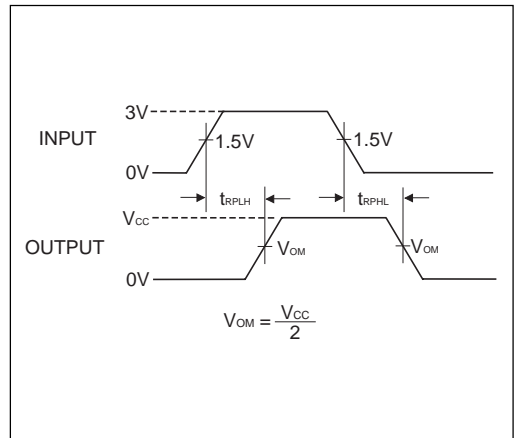


Figure 11. Receiver Propagation Delay Waveforms

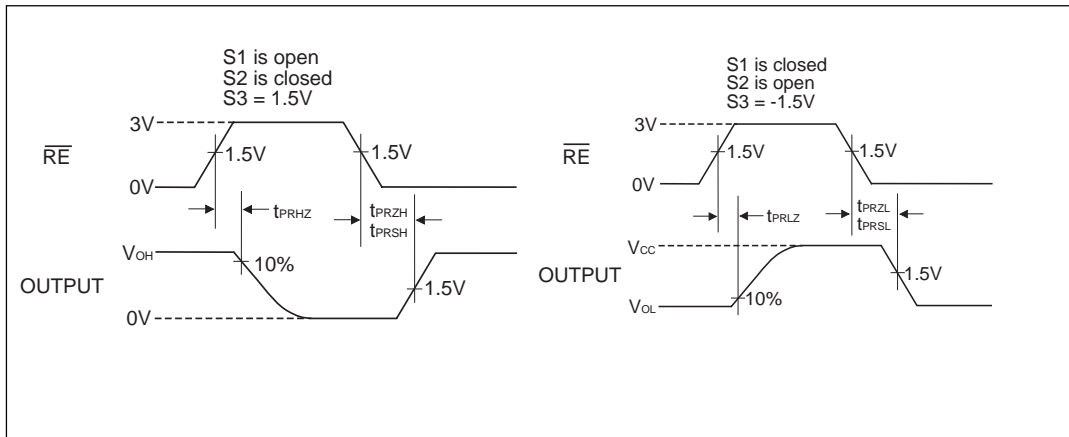


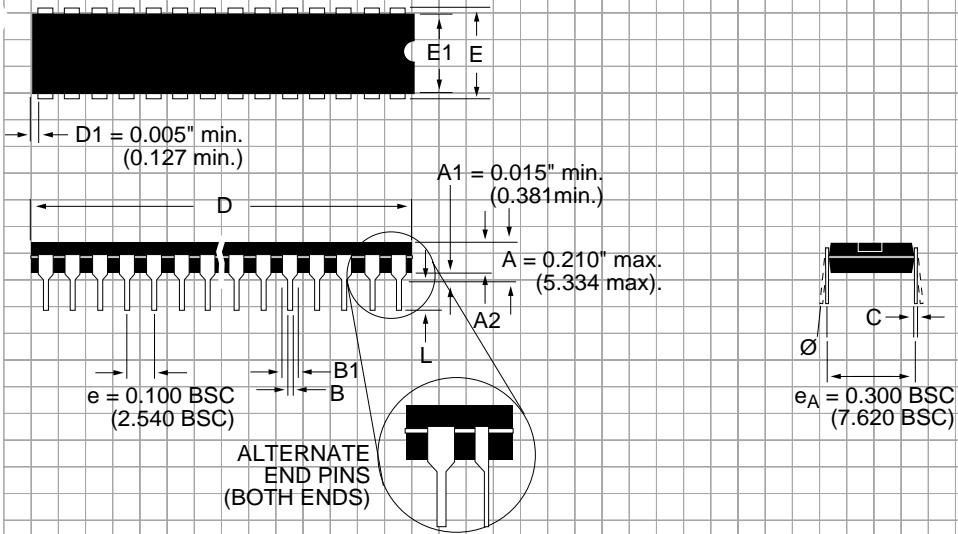
Figure 12. Receiver Enable and Disable Waveforms

NOTE 1: The input pulse is supplied by a generator with the following characteristics:

PRR=250KHz, 50% duty cycle, $t_r < 6.0ns$, $Z_0=50\Omega$.

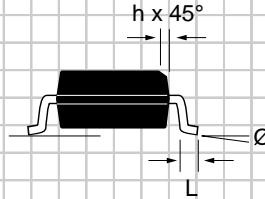
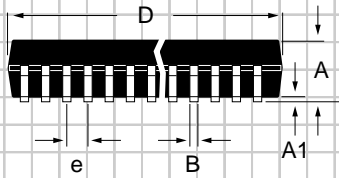
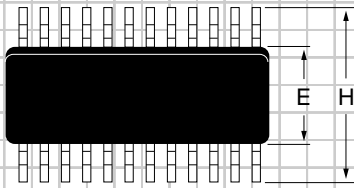
NOTE 2: C_L includes probe and stray capacitance.

PACKAGE: PLASTIC DUAL-IN-LINE (NARROW)



| DIMENSIONS (Inches) Minimum/Maximum (mm) | 8-PIN |
|--|-------------------------------|
| A2 | 0.115/0.195 (2.921/4.953) |
| B | 0.014/0.022 (0.356/0.559) |
| B1 | 0.045/0.070 (1.143/1.778) |
| C | 0.008/0.014 (0.203/0.356) |
| D | 0.355/0.400 (9.017/10.160) |
| E | 0.300/0.325 (7.620/8.255) |
| E1 | 0.240/0.280 (6.096/7.112) |
| L | 0.115/0.150 (2.921/3.810) |
| \emptyset | 0°/ 15° (0°/15°) |

**PACKAGE: PLASTIC
SMALL OUTLINE (SOIC)
(NARROW)**



| DIMENSIONS (Inches) Minimum/Maximum (mm) | 8-PIN |
|--|------------------------------|
| A | 0.053/0.069 (1.346/1.748) |
| A1 | 0.004/0.010 (0.102/0.249) |
| B | 0.014/0.019 (0.35/0.49) |
| D | 0.189/0.197 (4.80/5.00) |
| E | 0.150/0.157 (3.802/3.988) |
| e | 0.050 BSC (1.270 BSC) |
| H | 0.228/0.244 (5.801/6.198) |
| h | 0.010/0.020 (0.254/0.498) |
| L | 0.016/0.050 (0.406/1.270) |
| Ø | 0°/8° (0°/8°) |

ORDERING INFORMATION

| Model | Temperature Range | Package |
|----------------|----------------------|-------------------|
| SP3481CN | 0°C to +70°C | 8-pin Narrow SOIC |
| SP3481CP | 0°C to +70°C | 8-pin Plastic DIP |
| SP3481EN | -40°C to +85°C | 8-pin Narrow SOIC |
| SP3481EP | -40°C to +85°C | 8-pin Plastic DIP |
| SP3485CN | 0°C to +70°C | 8-pin Narrow SOIC |
| SP3485CP | 0°C to +70°C | 8-pin Plastic DIP |
| SP3485EN | -40°C to +85°C | 8-pin Narrow SOIC |
| SP3485EP | -40°C to +85°C | 8-pin Plastic DIP |

Please consult the factory for pricing and availability on a Tape-On-Reel option.



SIGNAL PROCESSING EXCELLENCE

Sipex Corporation

Headquarters and Sales Office

233 South Hillview Drive
Milpitas, CA 95035
TEL: (408) 934-7500
FAX: (408) 935-7600

Sales Office

22 Linnell Circle
Billerica, MA 01821
TEL: (978) 667-8700
FAX: (978) 670-9001
e-mail: sales@sipex.com

Sipex Corporation reserves the right to make changes to any products described herein. Sipex does not assume any liability arising out of the application or use of any product or circuit described hereing; neither does it convey any license under its patent rights nor the rights of others.

This datasheet has been download from:

www.datasheetcatalog.com

Datasheets for electronics components.