

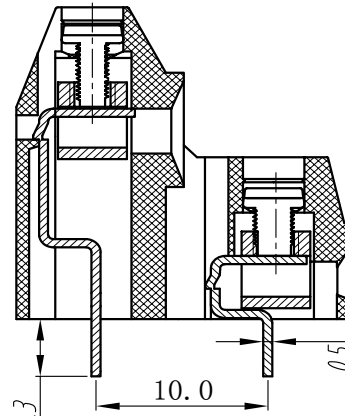
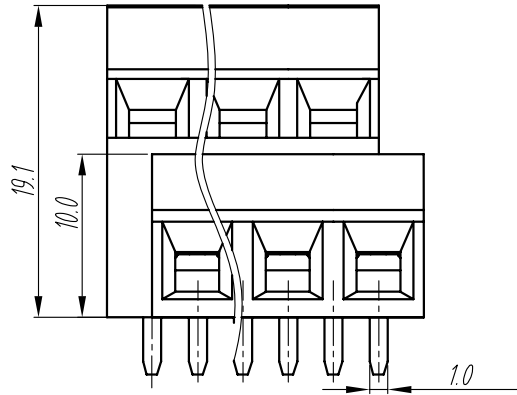


慈溪市萬捷電子有限公司

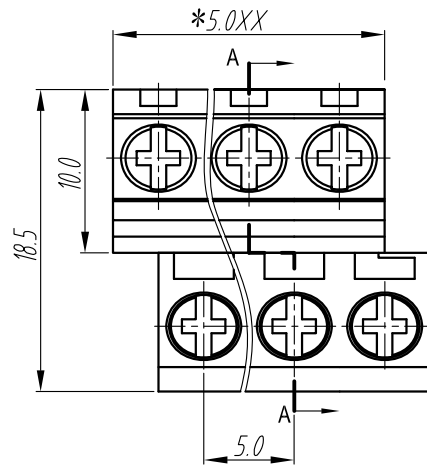
CIXI WANJIE ELECTRONIC CO., LTD

产品规格书

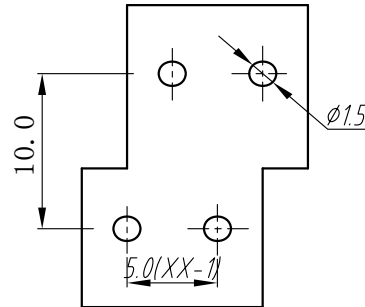
product specification



Section: A-A



P.C.B. LAYOUT



电气性能/Electrical

参考标准/Standard	UL	IEC
额定电压/Rated voltage	300V	250V
额定电流/Rated current	10A	18A
接触电阻/Contact resistance	20mΩ	
绝缘电阻/Insulation resistance	5000MΩ/DC1000V	
使用线径/Wire range	26-16AWG 1.5mm ²	
耐电压/Withstanding voltage	AC 2000V/1 Min	

机械性能/Mechanical

温度范围/Temp.Range	-40℃~+105℃
瞬时温度/MAX Soldering	+250℃ for 5 Sec
扭矩/Torque	0.4Nm(3.6lb.in)
剥线长度/Strip length	5-6mm

尺寸/Dimensions

间距/Pitch	5.0mm 10.0mm
极数/Poles	2p. xxp

材质及电镀/Material

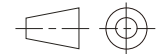
塑件/Housing	PA66,UL94V-0
螺丝/Screws	M2.5 steel Zinc plated
焊针/Pin housing	Brass,Tin plated
方块/Clamp	Brass, Ni plated

TOLERANCES EXCEPT AS NOTED

variable range	linear dimension				fillet	chamfer	short angle sid			≡	—	□	//	⊥		
	to 6	to 30	to 120	to 480			to 6	to 10	to 50						to 120	to 5
tolerance	±0.1	±0.2	±0.3	±0.5	±0.2	±0.5	±1	1°	30'	20'	10'	0.5	0.025	0.06	0.12	0.4

单位/UNITS mm 尺寸/SIZE A4 比例/SCALE

第一视角/FIRST ANGLE PROJECTION



慈溪市萬捷電子有限公司
CIXI WANJIE ELECTRONIC CO., LTD

名称/NAME

WJA500-5.0